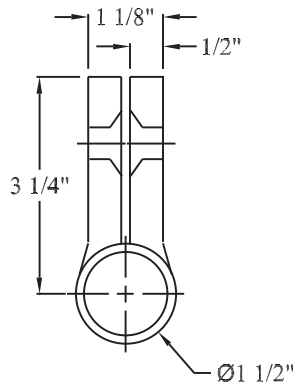
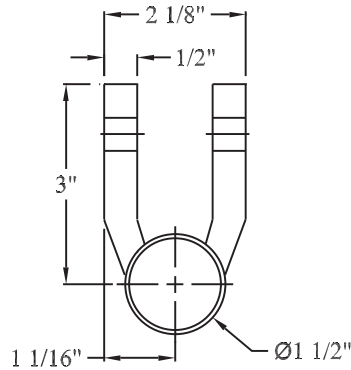


Precision Engineered High Capacity Hinges

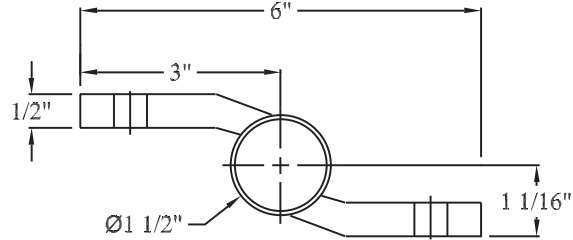
SERIES NO. CBI-8500



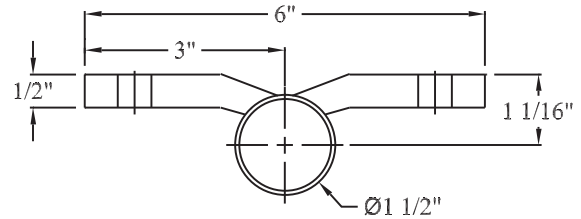
**CBI-8508 OR 8513
FULL MORTISE HINGE**



**CBI-8507 OR 8512
GAP MOUNTED HINGE**



**CBI-8506 OR 8511
HALF MORTISE**



**CBI-8505 OR 8510
FULL SURFACE HINGE**

STANDARDS:
#CBI HINGE PADS ARE 5" TALL
MATERIAL 1018 COLD ROLLED STEEL
PRIME PAINT FINISH

OPTIONS:
HOLES IN PADS
POLISHED OR SATIN CHROME PLATING OR
ZINC PLATING
304 STAINLESS STEEL MILL OR POLISHED
OR SATIN FINISH

Technical Data						
Hinge Model #	Thrust Capacity (door #)	Radial Capacity lbs.	Mounting Bolt Description	Recommended Torque	Approximate Hinge Weight	*Torque (lb-in) to Operate Door
CBI-8505 through CBI-8508	800 lbs.	320 lbs.	Specification 1/2" diameter Grade 5 Hex Head Mechanical Properties: Fu = 120,000 psi	625 lb-in	7 lbs.	50 lb-in
			Specification 3/8" diameter Grade 5 Socket Head Mechanical Properties: Fu = 160,00 psi	320 lb-in		
CBI-8510 through CBI-8513	2,000 lbs.	800 lbs.	Specification 1/2" diameter Grade 5 Socket Head Mechanical Properties: Fu = 120,000 psi	625 lb-in	7 lbs.	5 lb-in
			Specification 3/8" diameter Grade 5 Hex Head Mechanical Properties: Fu = 160,00 psi	320 lb-in		